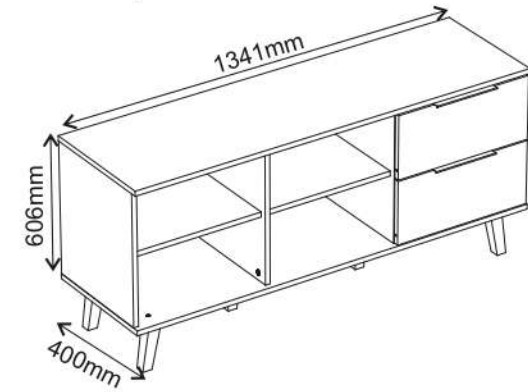
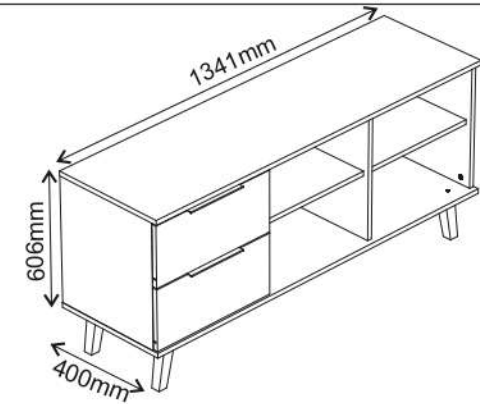
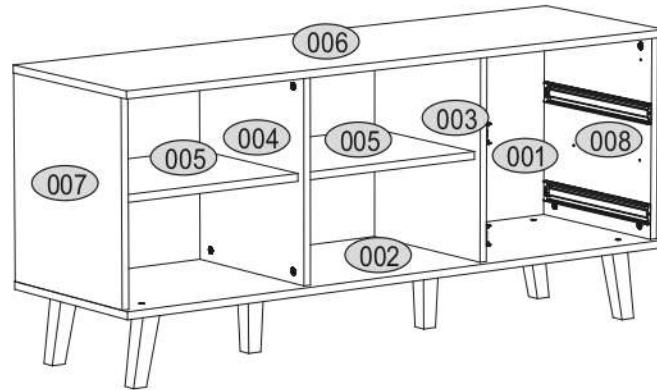
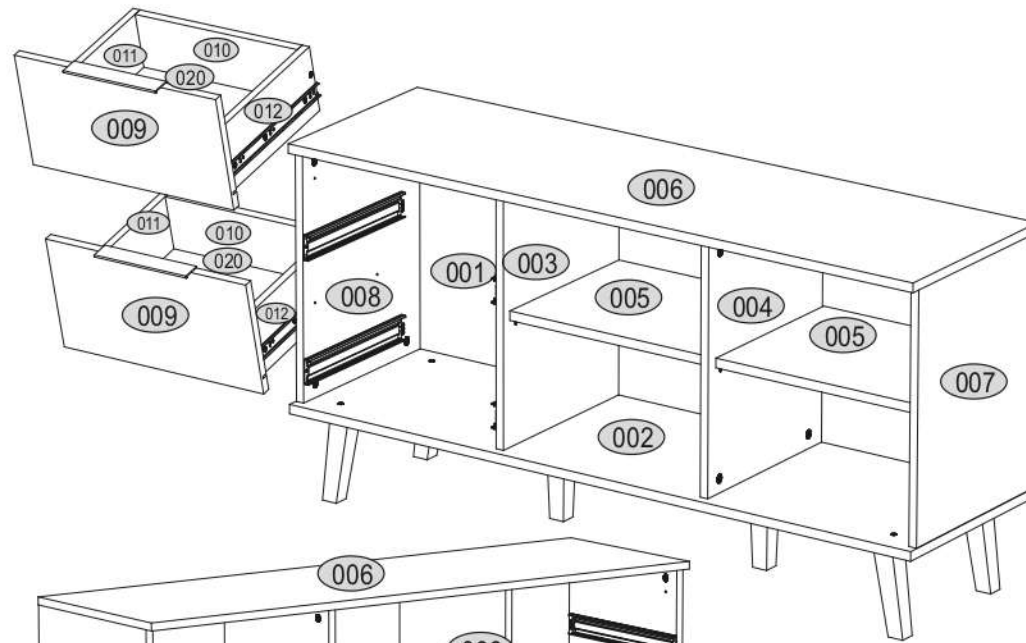
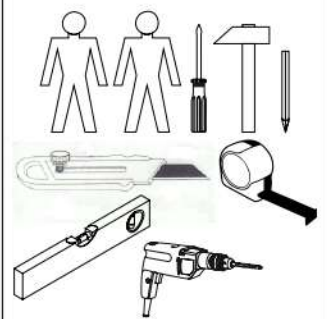
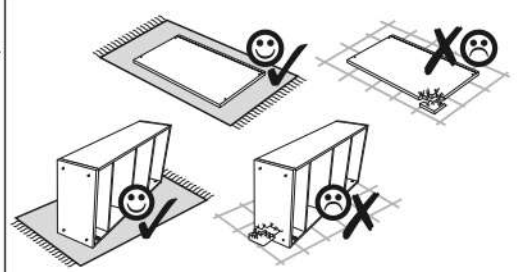
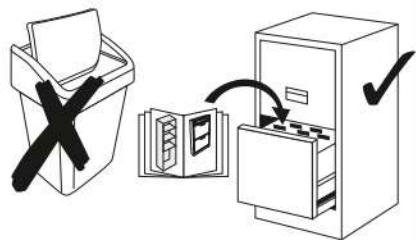

















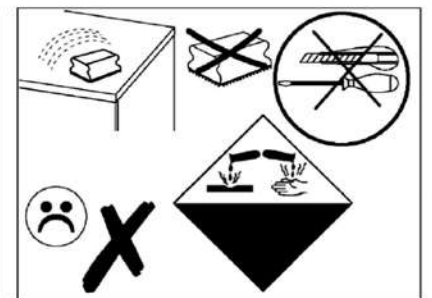
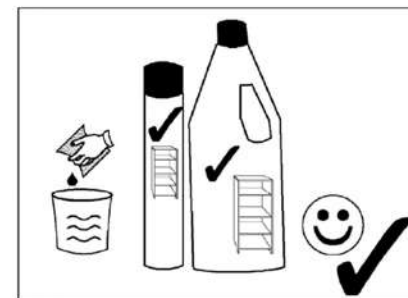
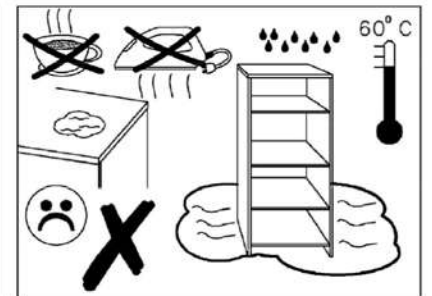
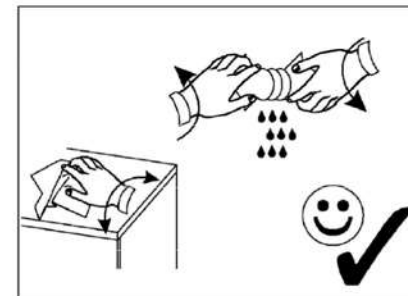
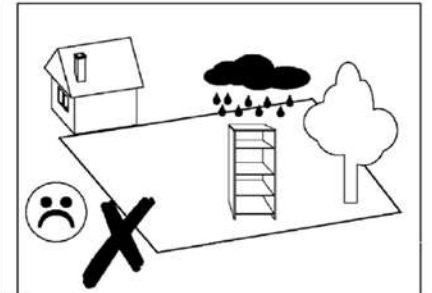
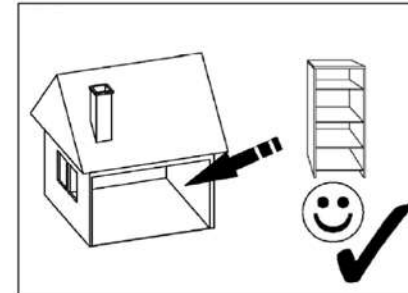
NEPU 2S 134



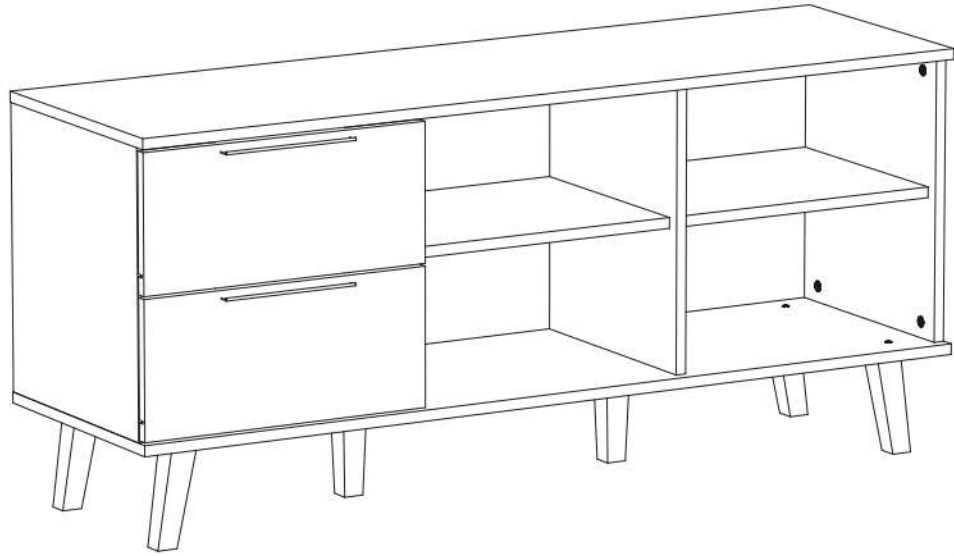
COD	DIMENSIUNE				PACHET
	424	1307	16		
001	424	1307	16	1	1/2
002	1341	400	16	1	2/2
003	424	363	16	1	1/2
004	424	363	16	1	1/2
005	425	343	16	2	1/2
006	1341	400	16	1	2/2
007	424	380	16	1	2/2
008	424	380	16	1	2/2
009	454	206	16	2	1/2
010	368	120	16	2	1/2
011	350	120	16	2	2/2
012	350	120	16	2	1/2
013	352	386	3	2	2/2
ACCESORII				2	1/2



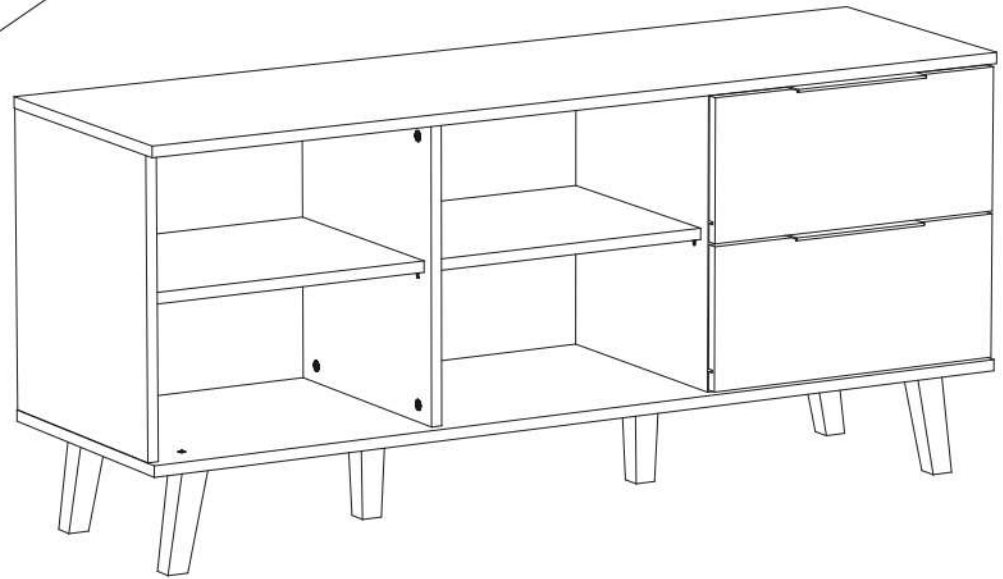
<p>x2 lb-350</p> 	<p>x2 c43</p> 	<p>x20 r1</p> 	<p>x10 e1</p> <p>Ø7x50mm</p> 
<p>x10 s1</p> 	<p>x42 f1</p> <p>Ø8x30mm</p> 	<p>x4 p38</p> 	<p>x1 z1</p> 
<p>x20 r16</p> 	<p>x24 p25</p> 	<p>x20 s2</p> 	<p>x8 d18</p> 
<p>x2 k87</p> 	<p>x4 k88</p> 		



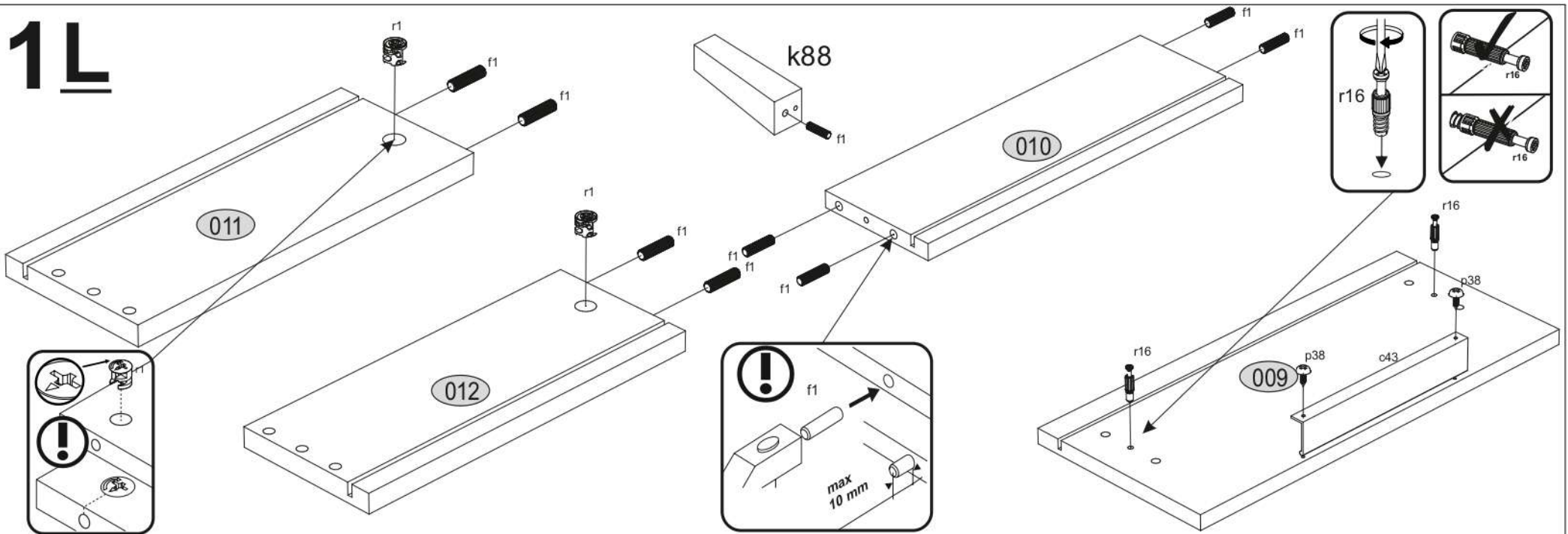
L



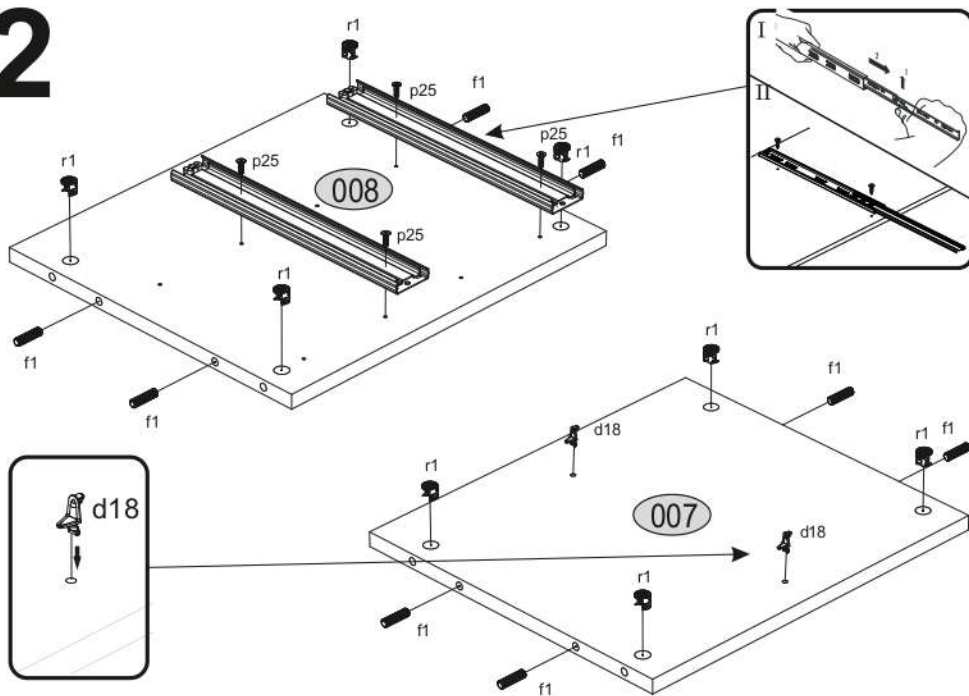
R



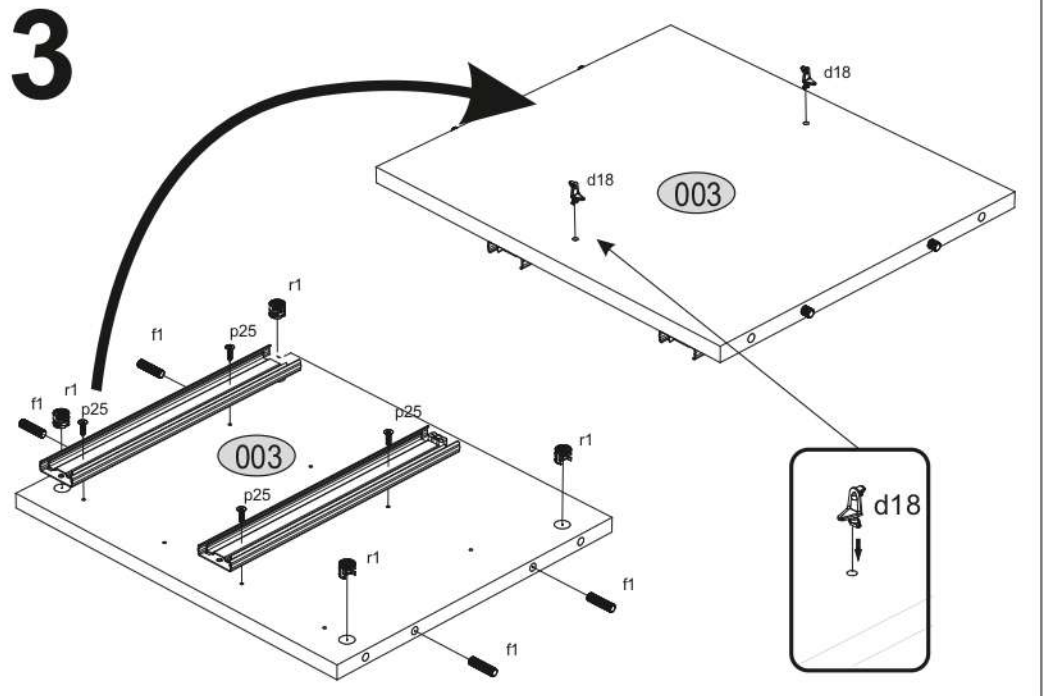
1L

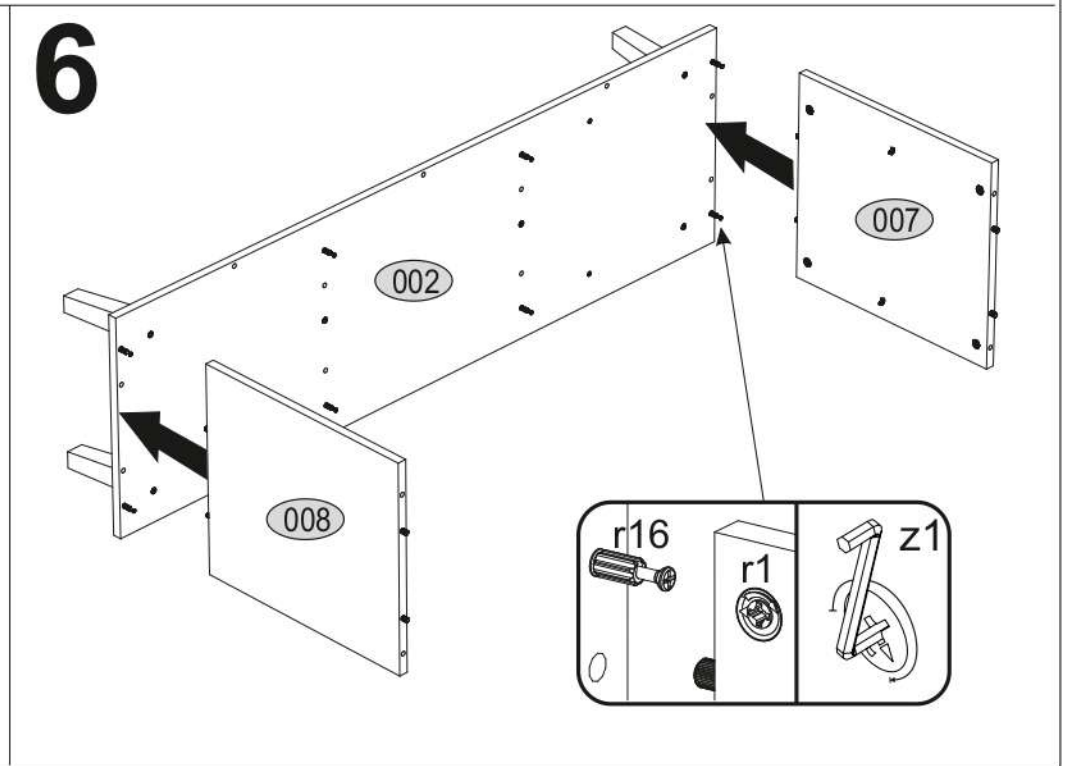
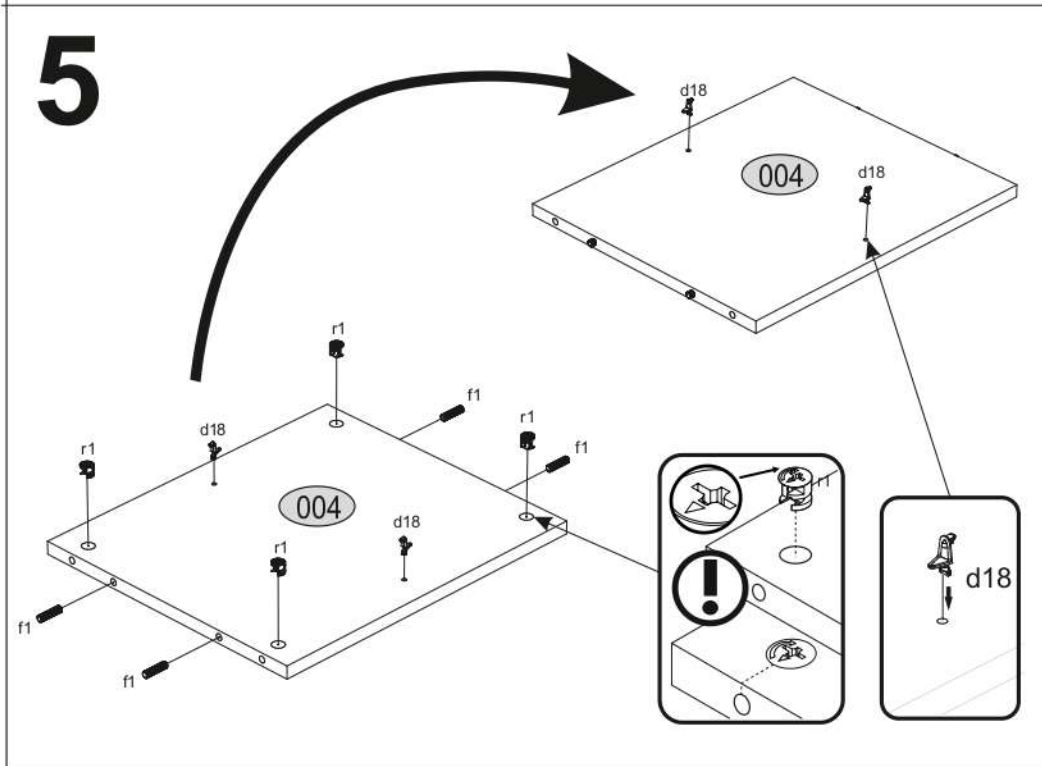
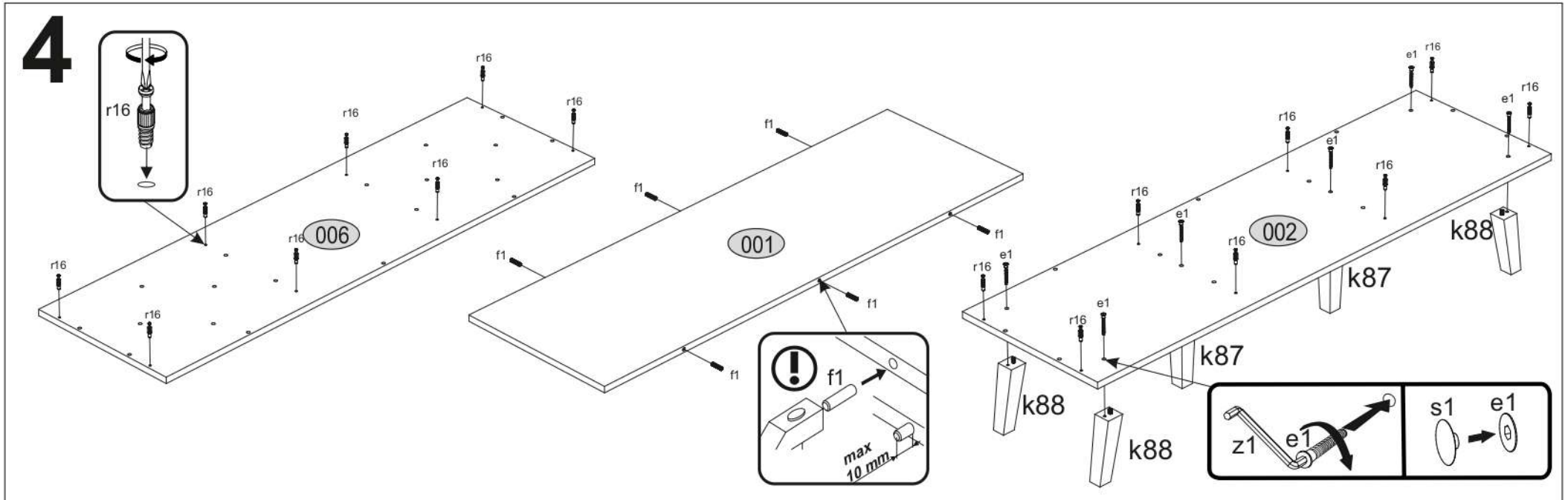


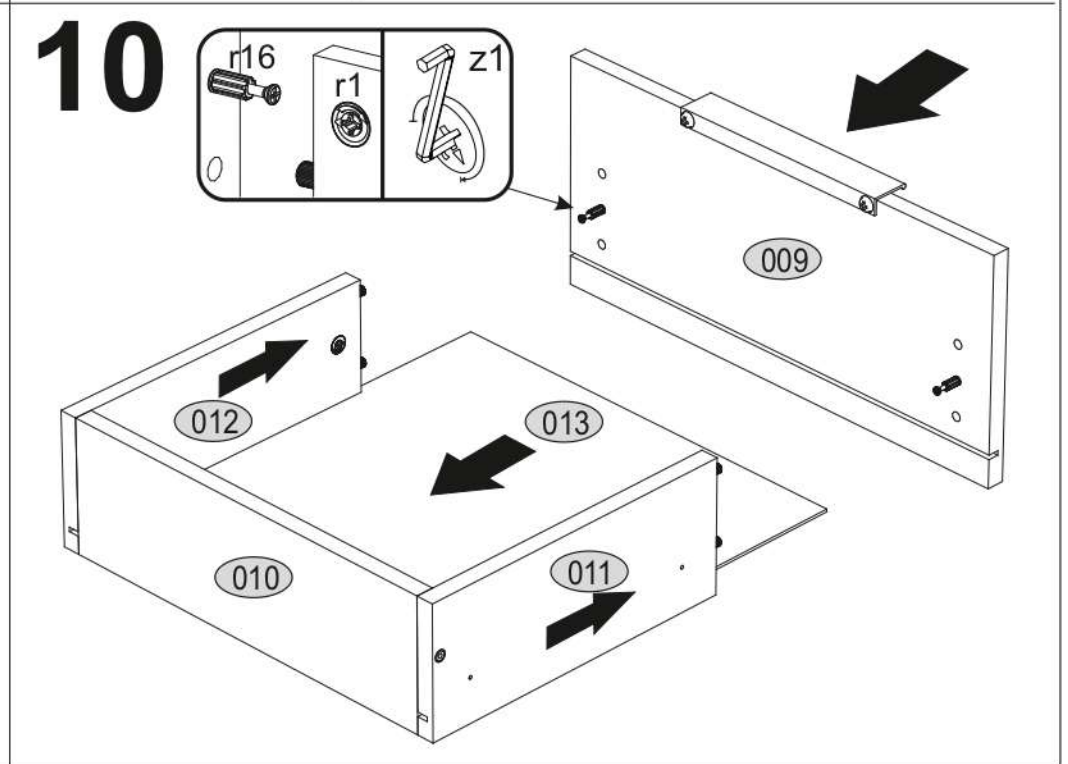
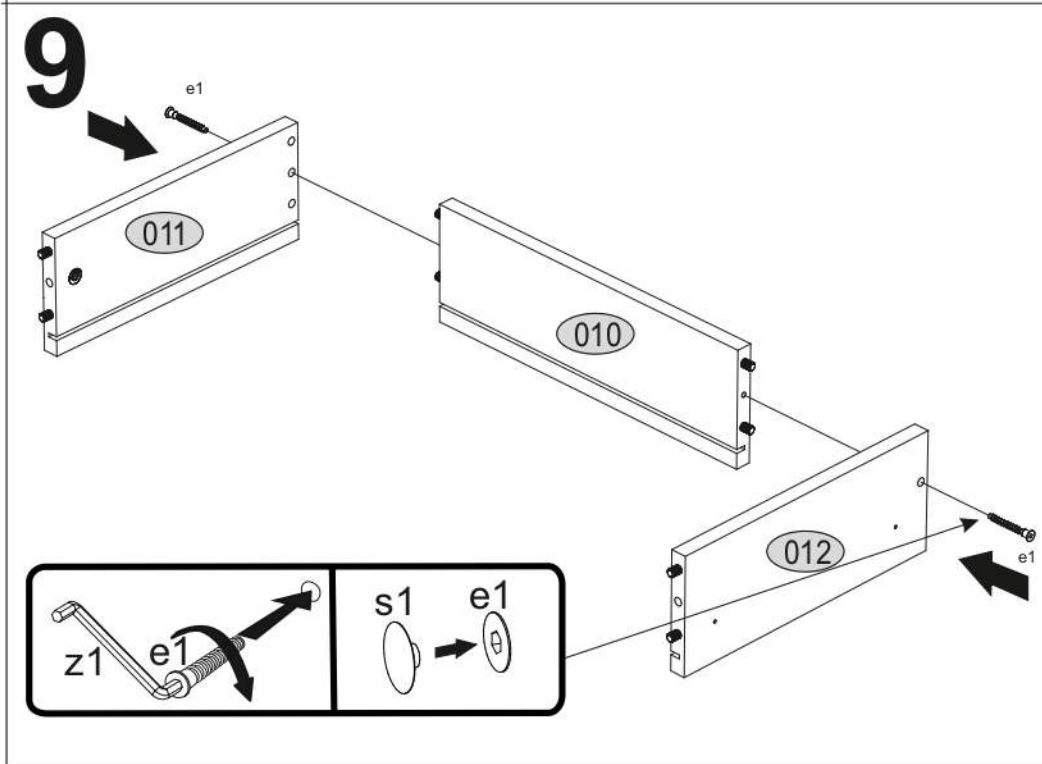
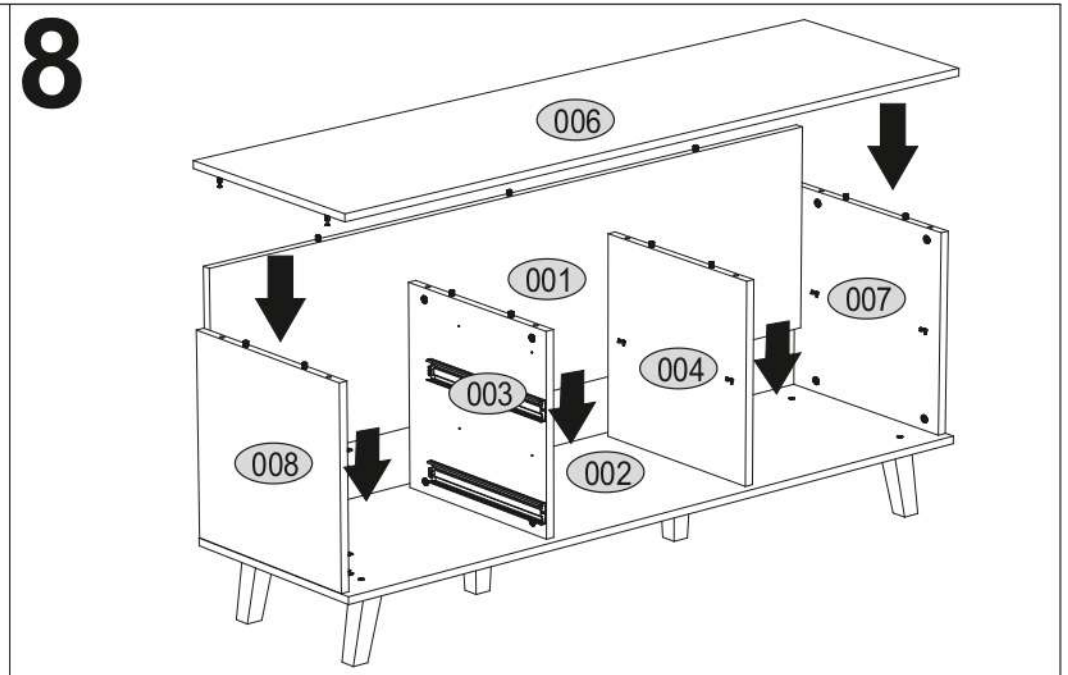
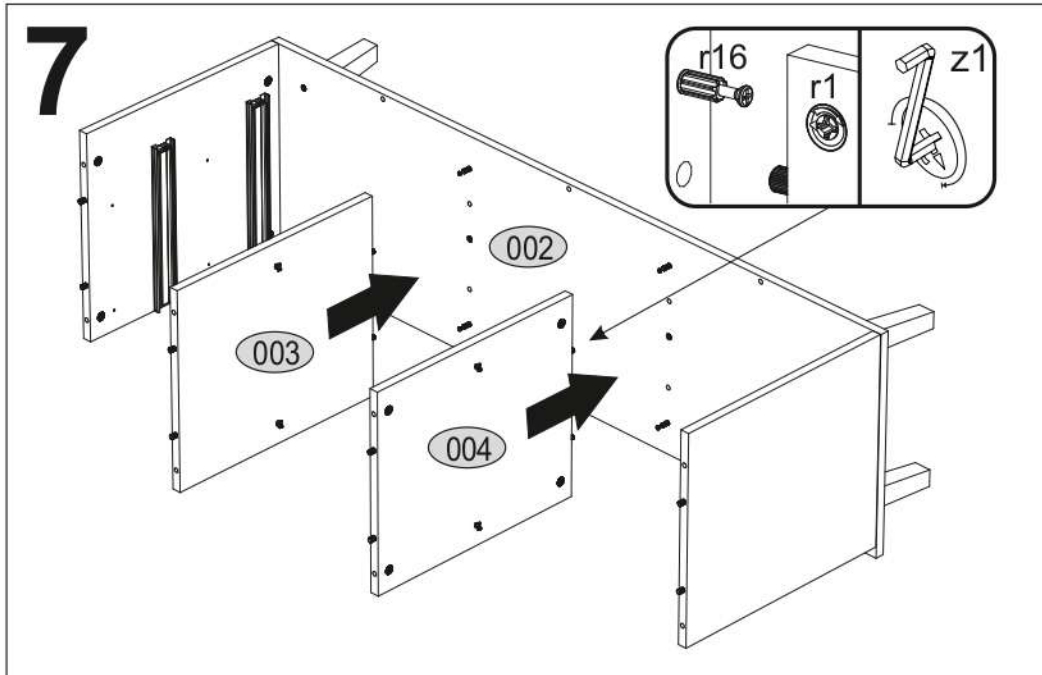
2



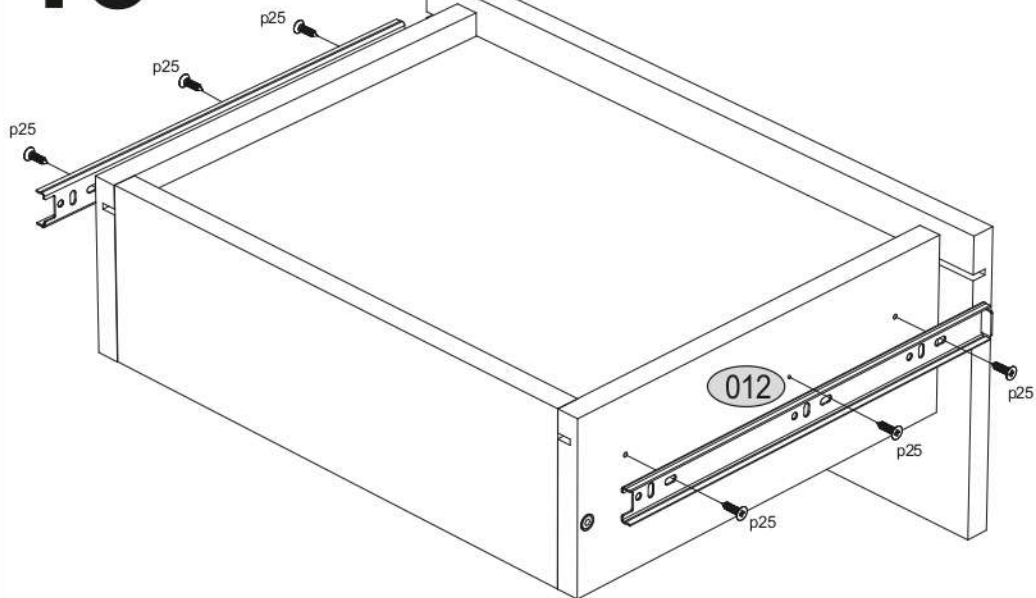
3



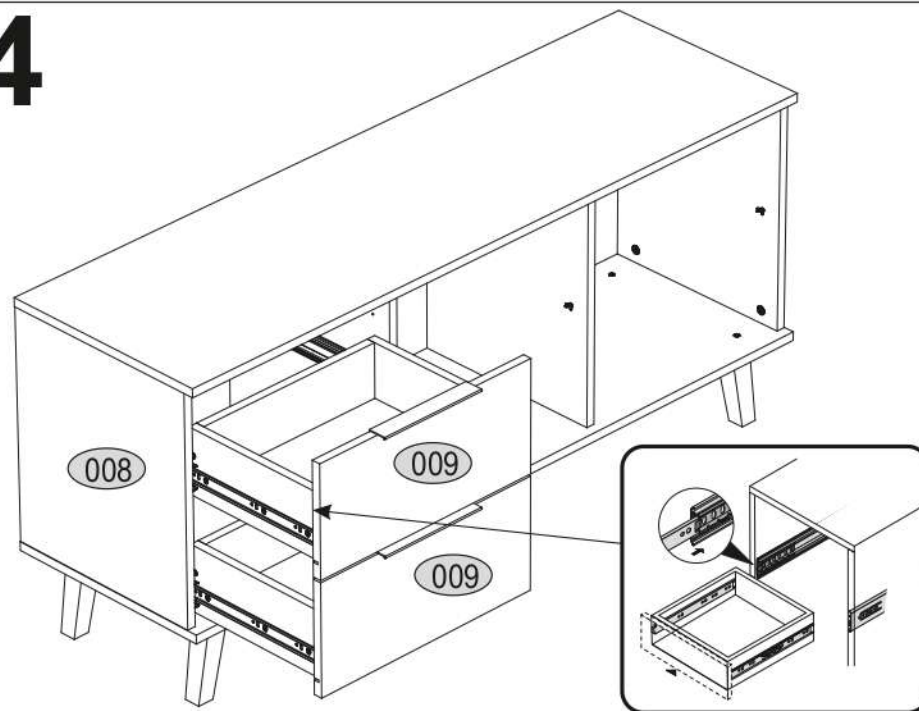




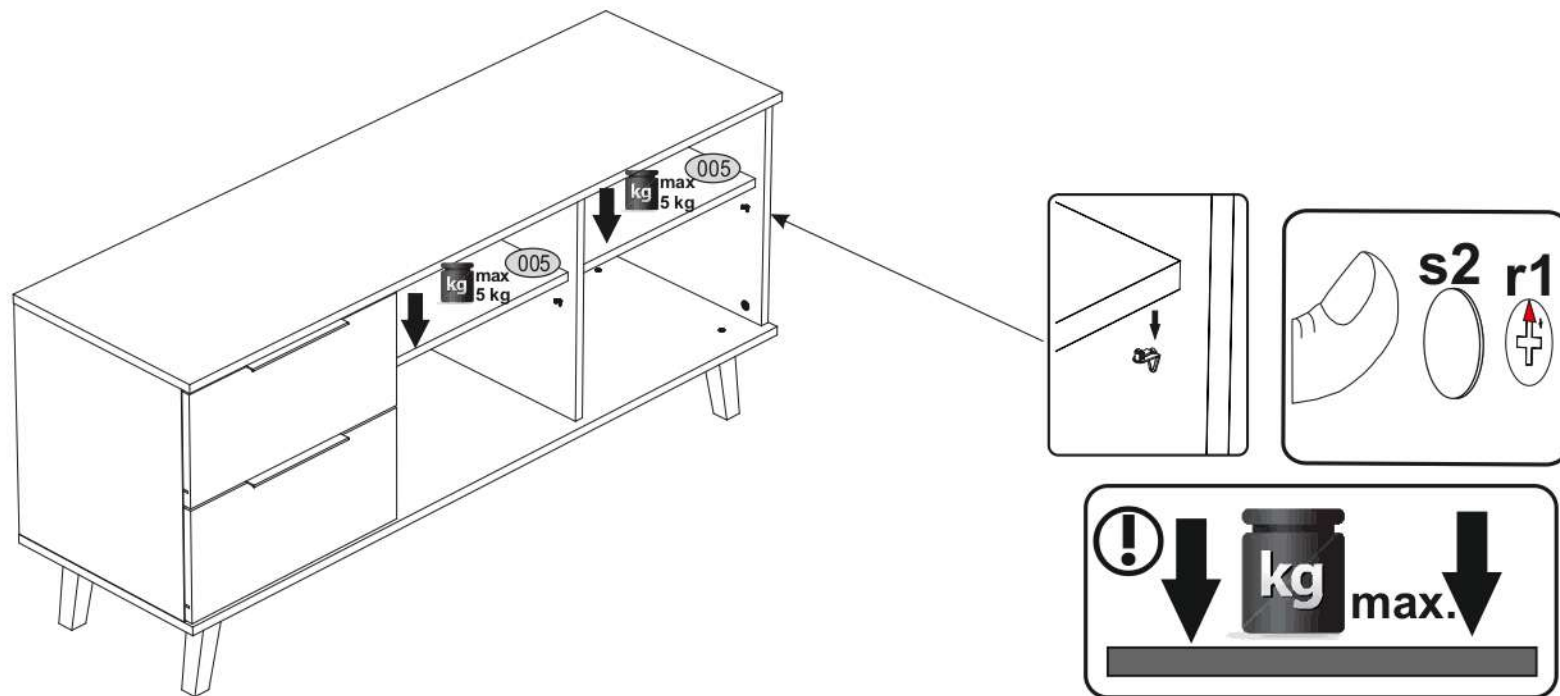
13



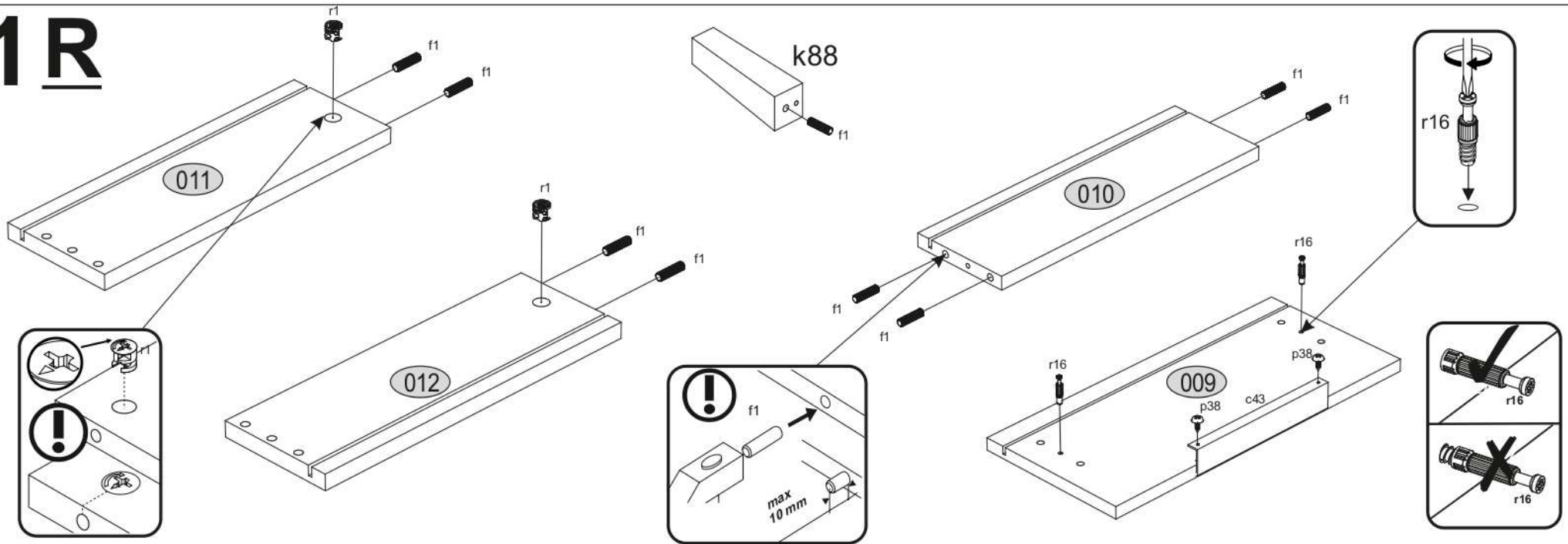
14



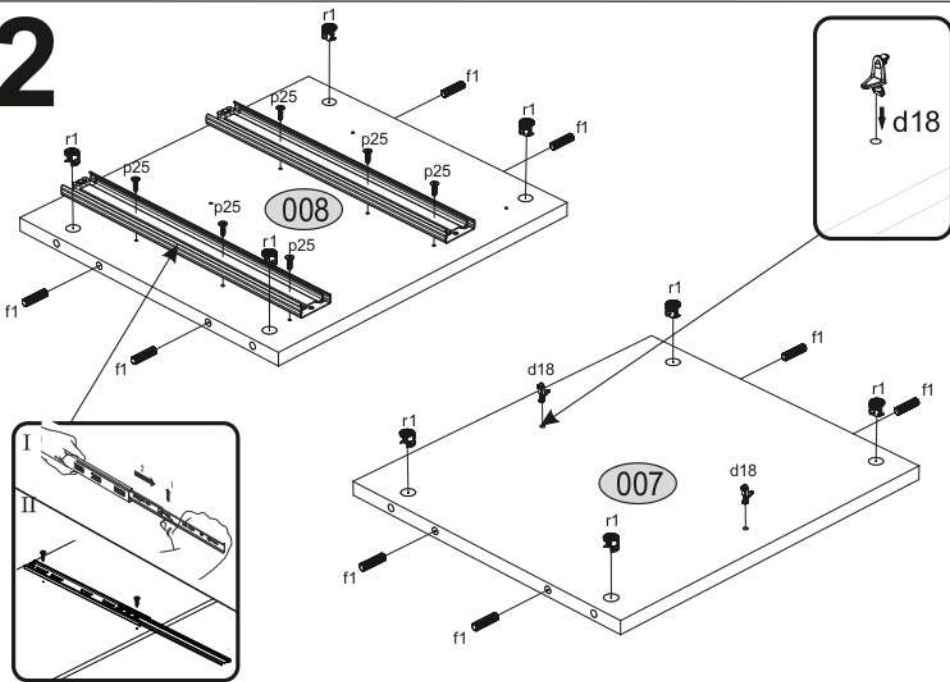
15



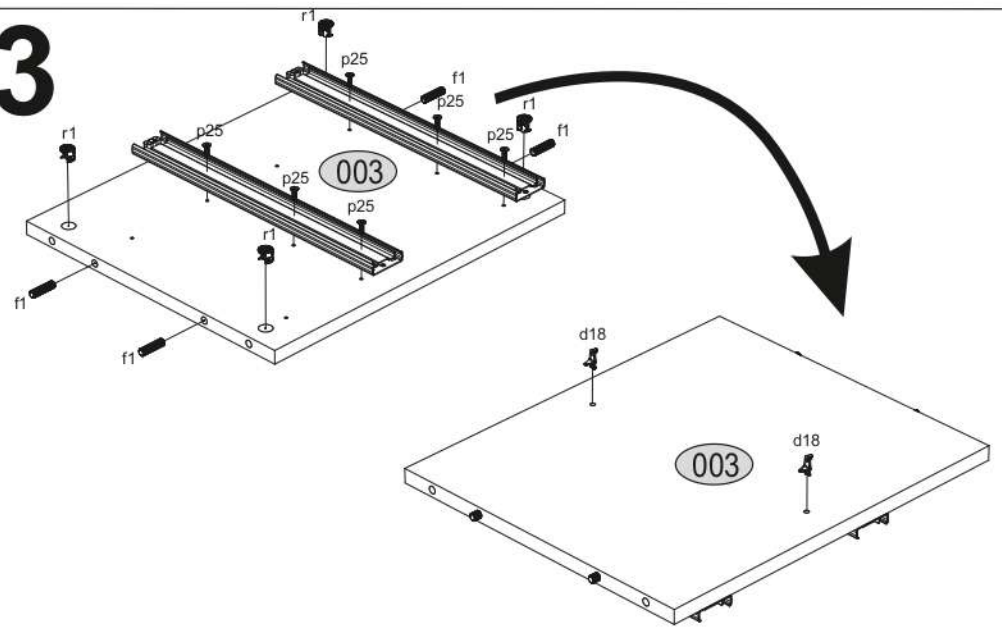
1R

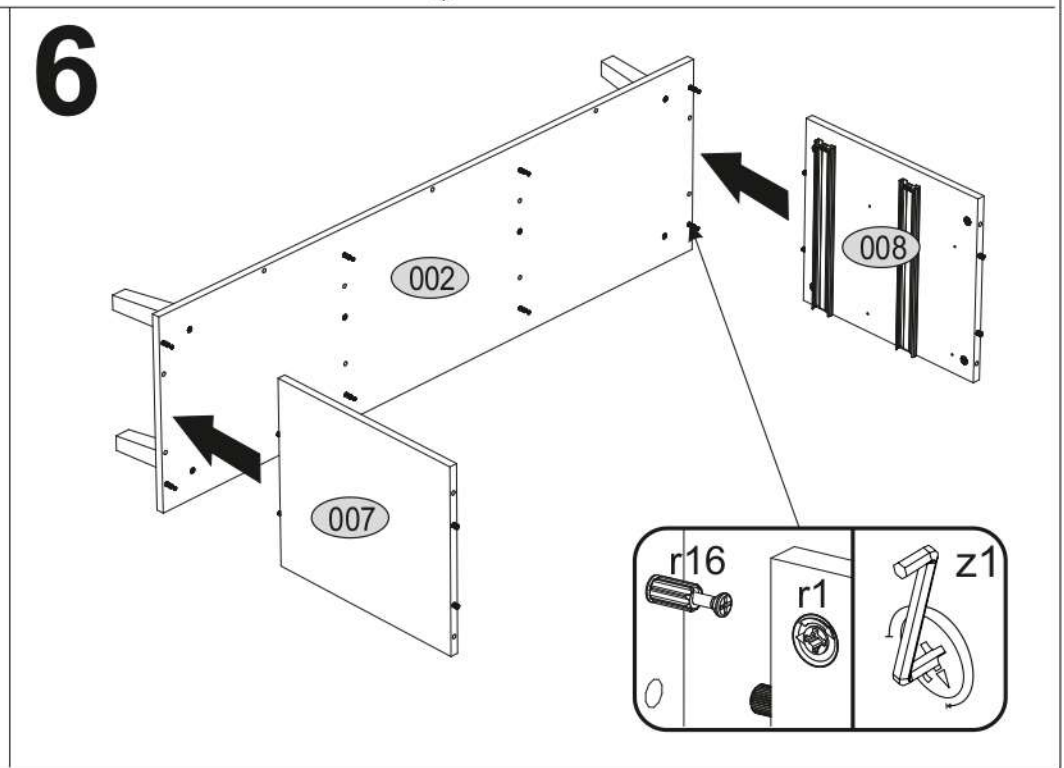
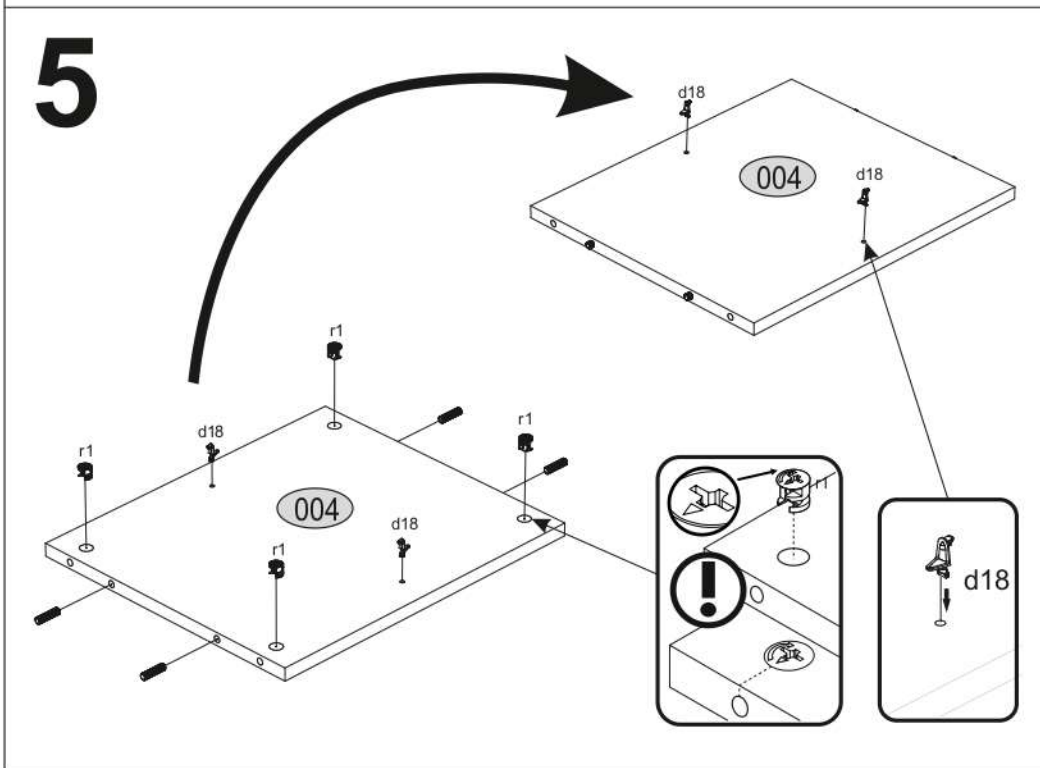
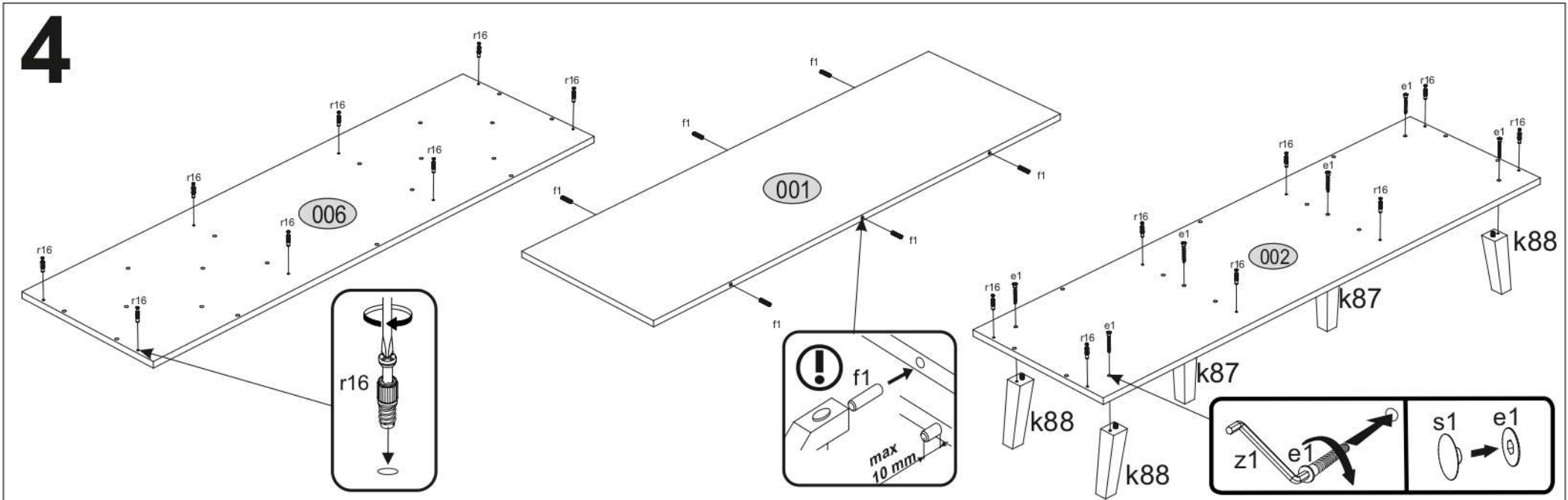


2

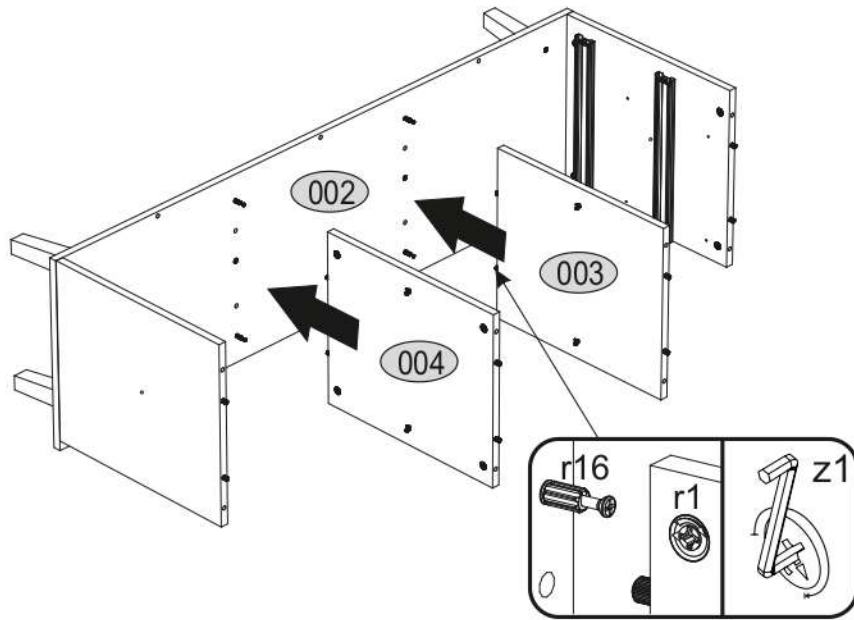


3

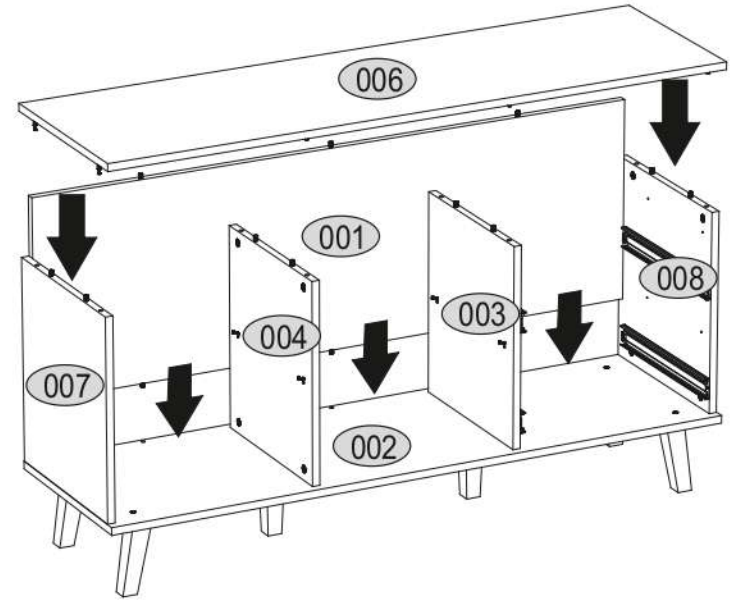




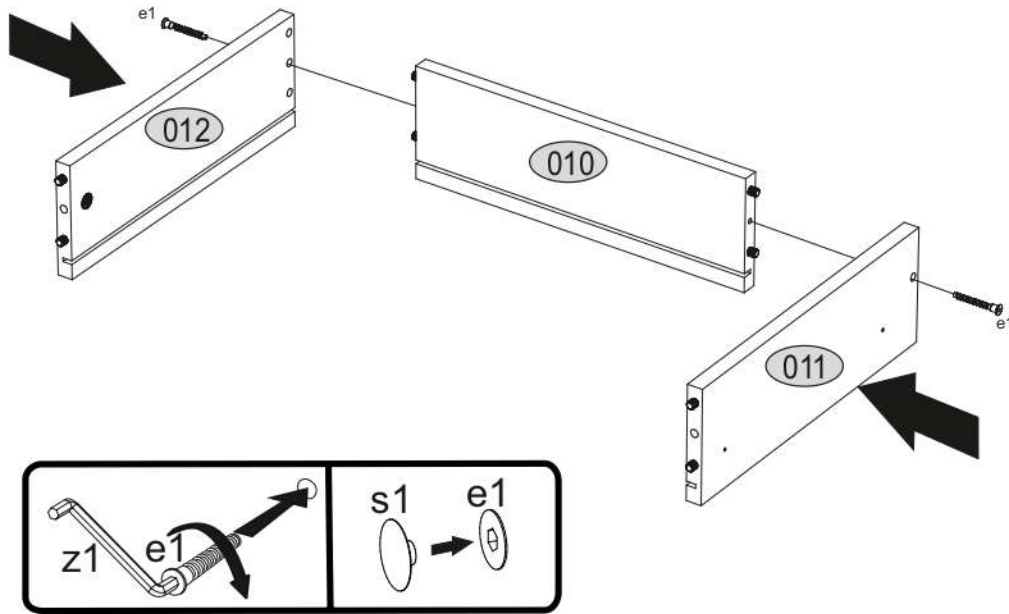
7



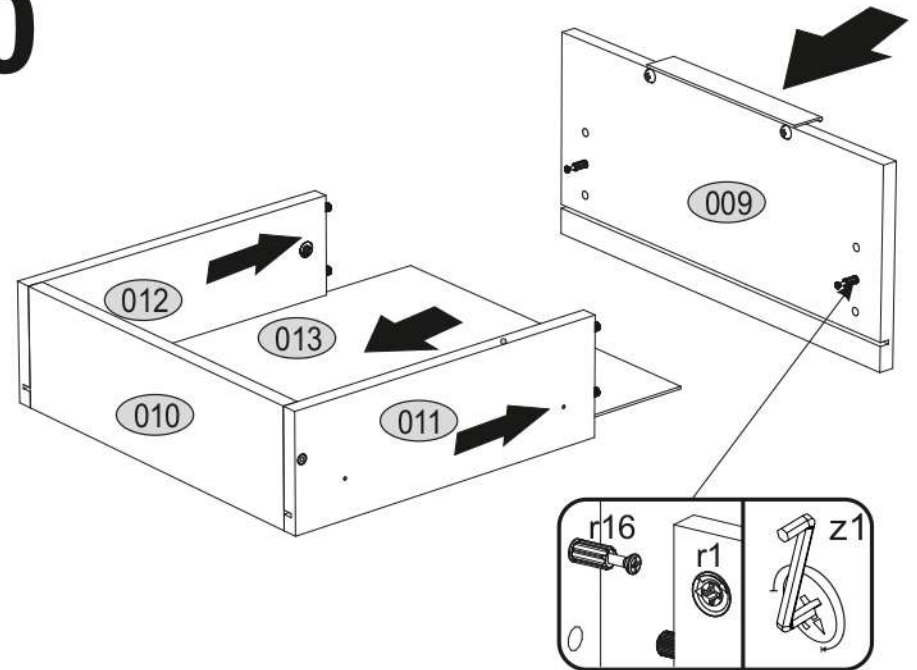
8



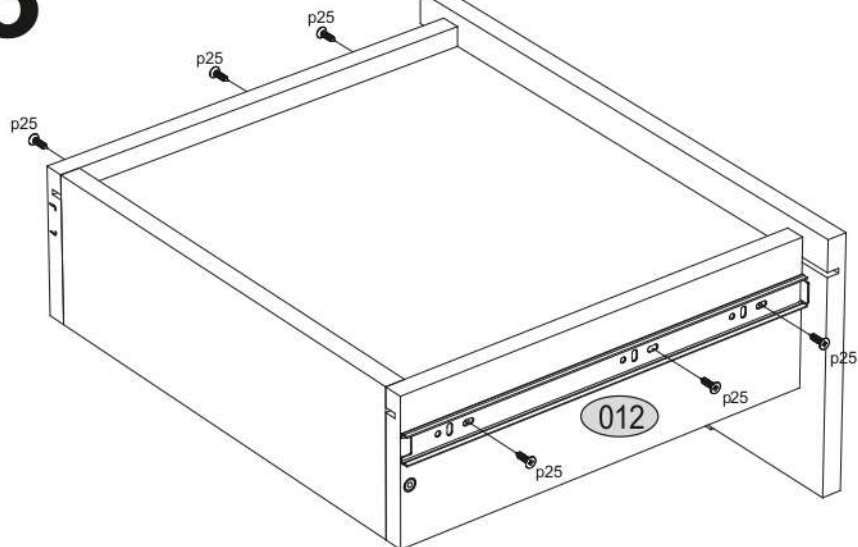
9



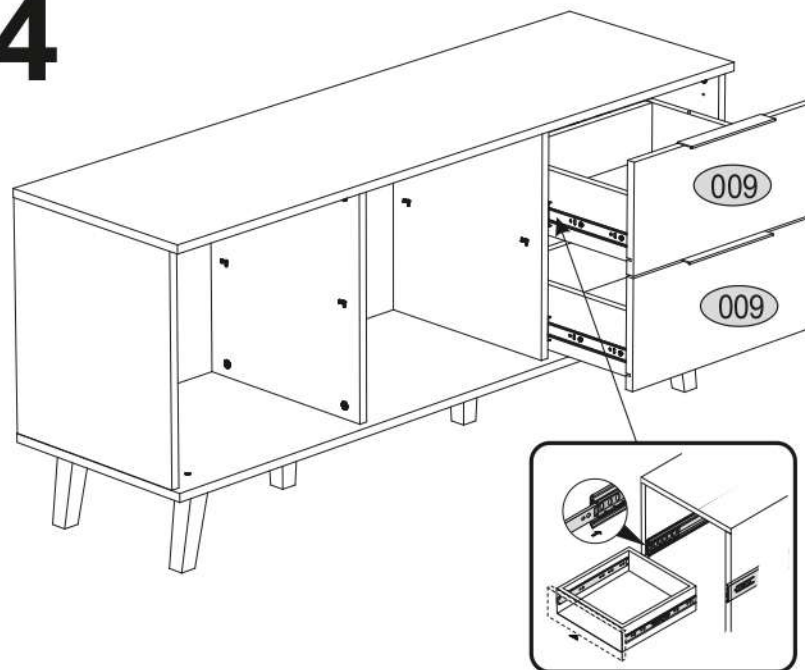
10



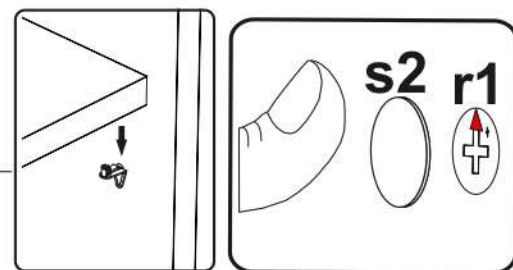
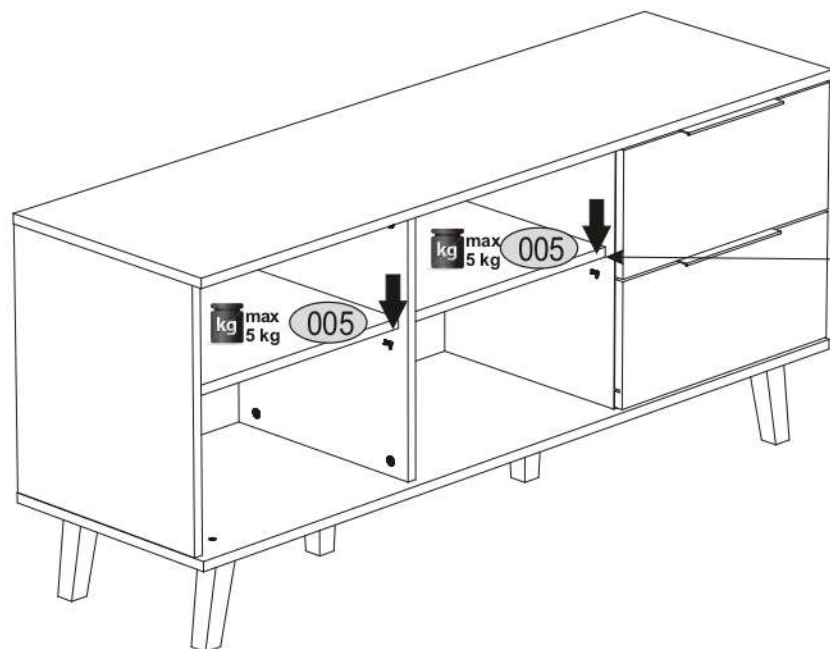
13



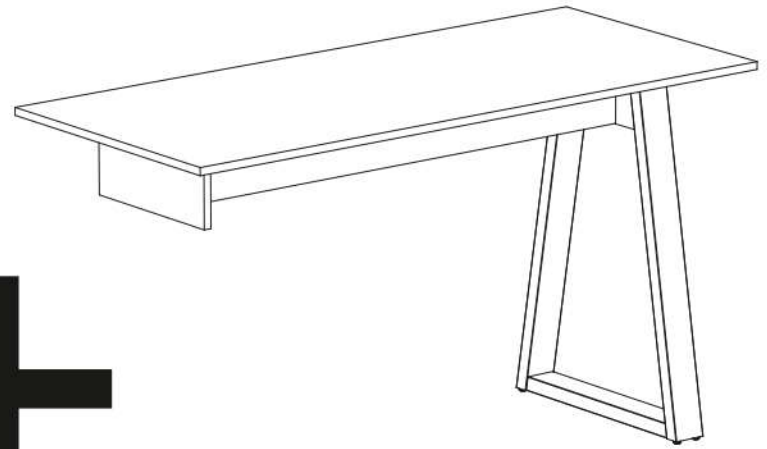
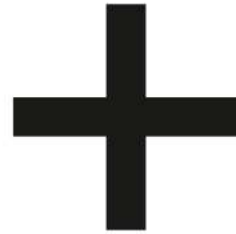
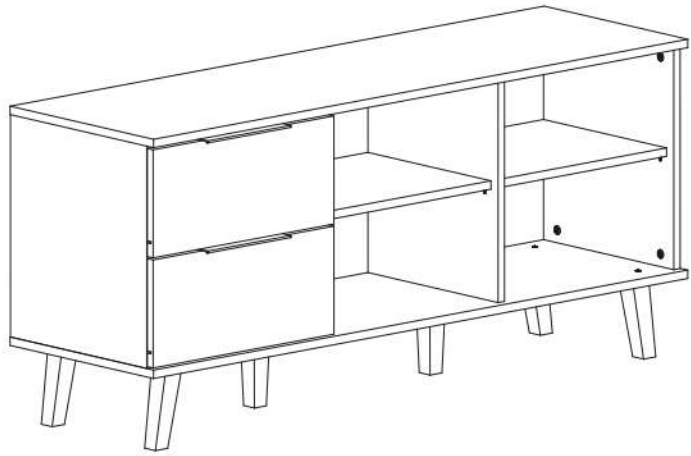
14



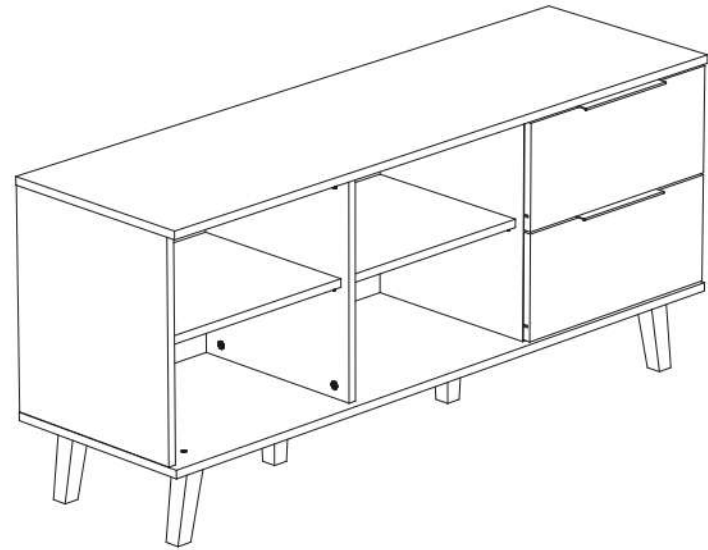
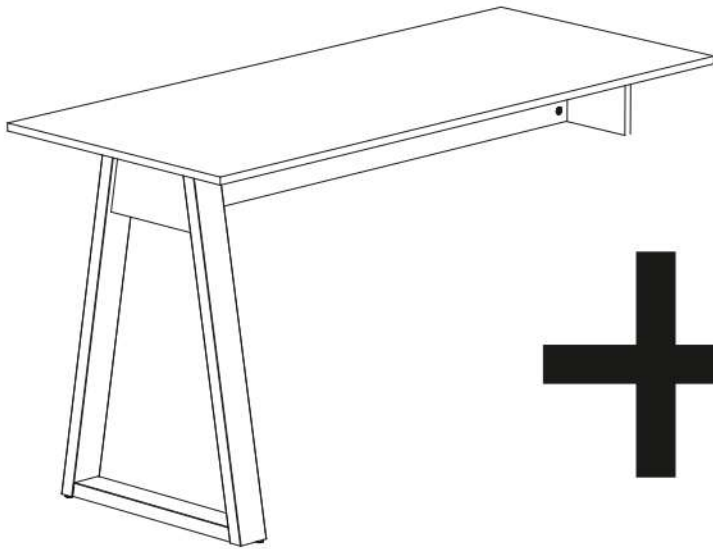
15



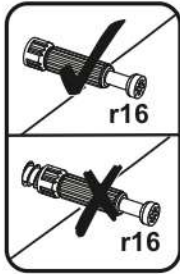
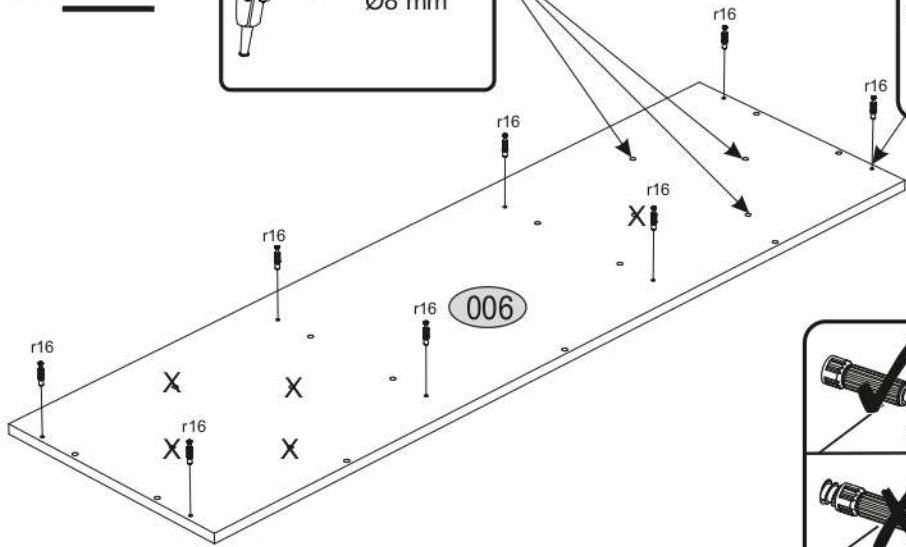
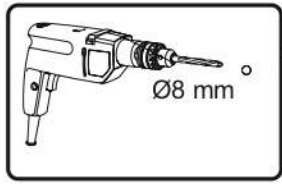
A



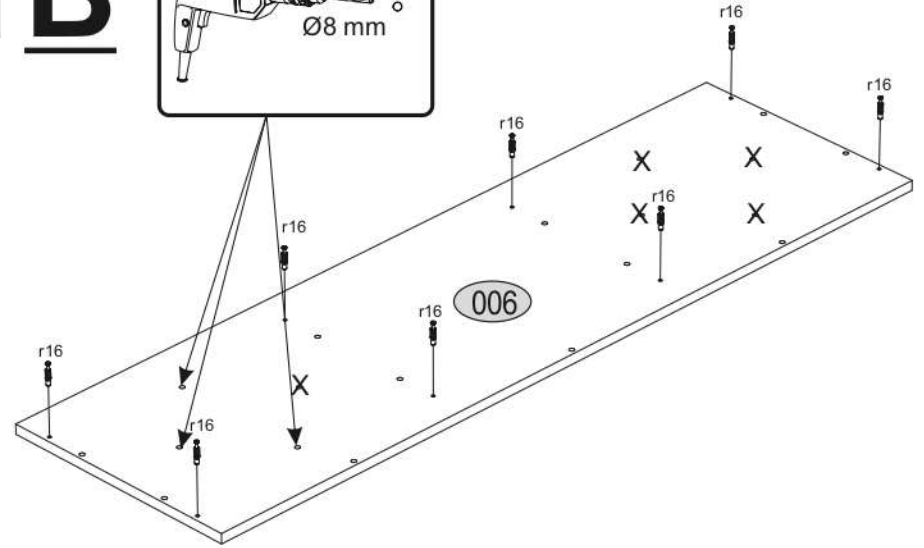
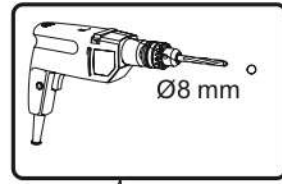
B



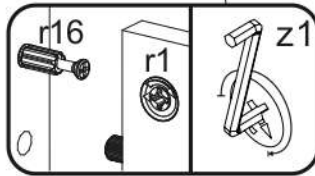
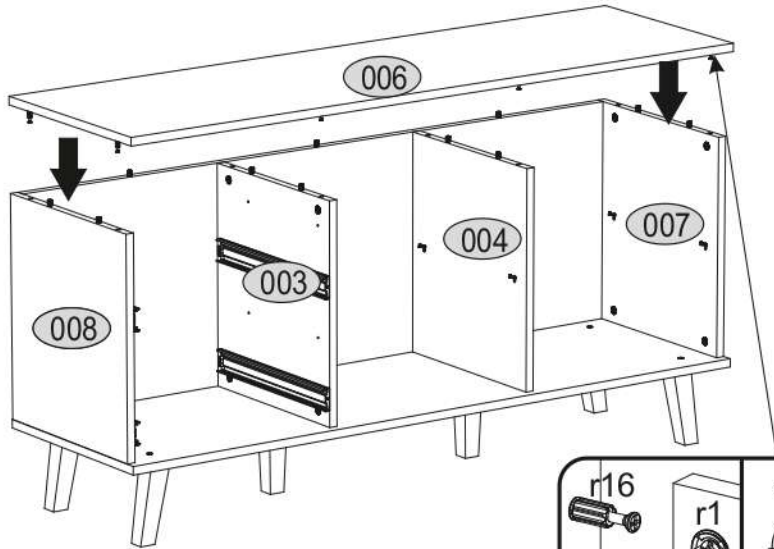
1A



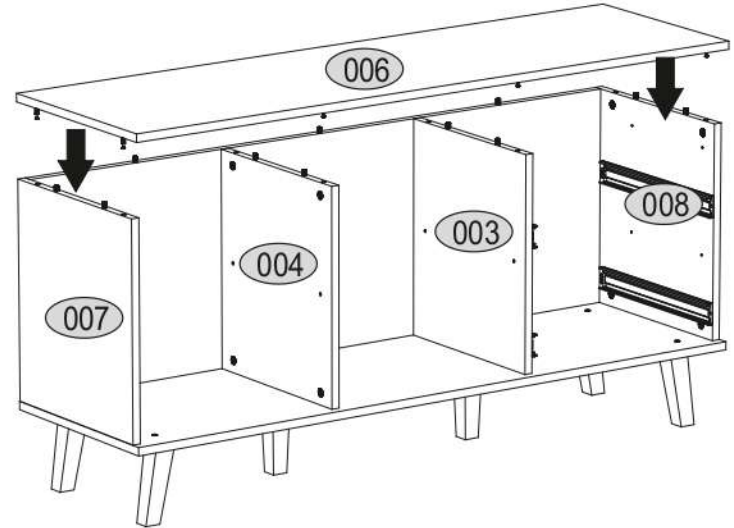
1B



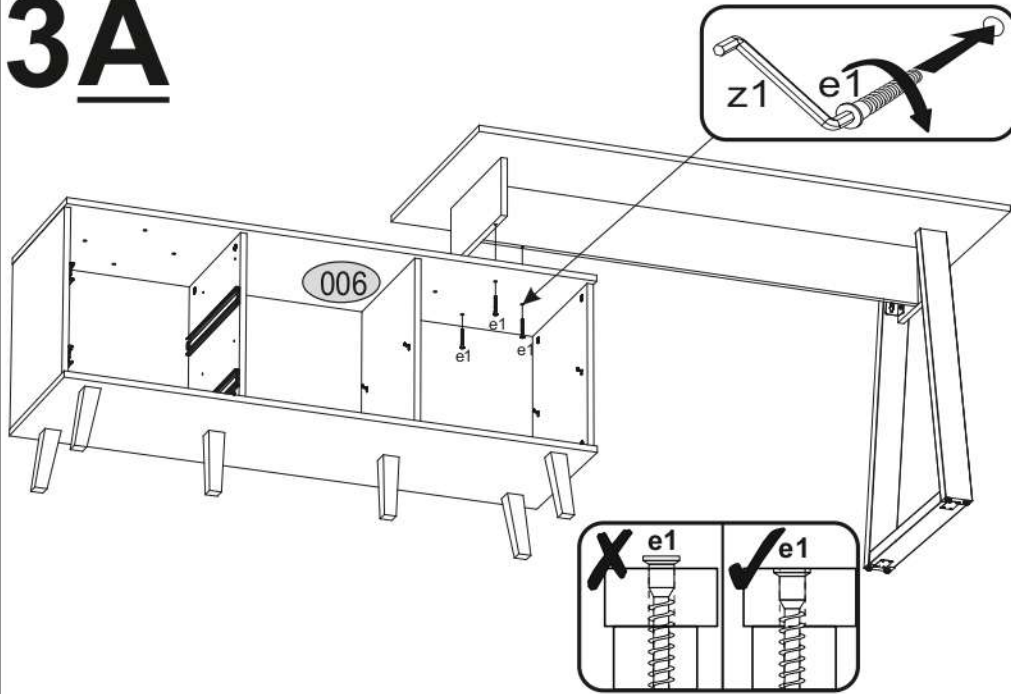
2



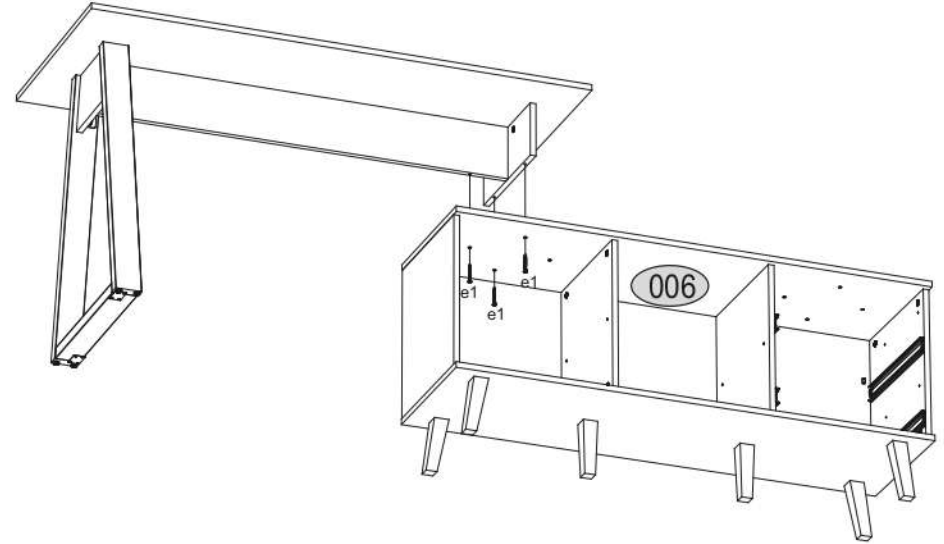
2



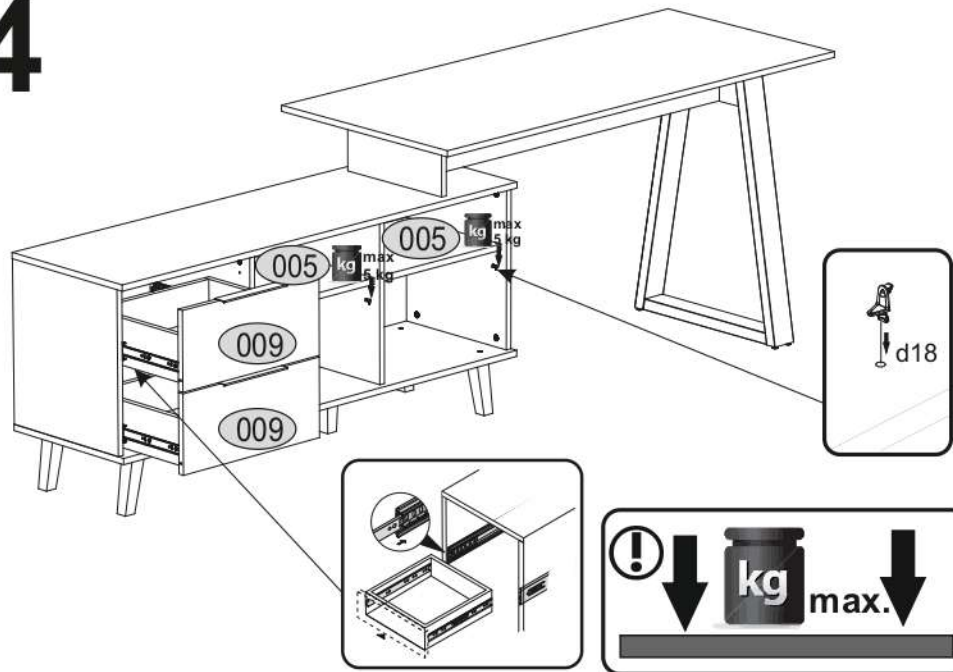
3A



3B



4



4

